

Technical Specifications

- Freely install your own software (Linux or Windows)
- CPU: 8th Generation Intel(R) Core(R) i5 Processors
- RAM: Up to 32GB DDR4-2400
- Storage: 16G MSATA SSD onboard and 2.5 inch SATA HDD
- NIC: 2* 10/100/1000M
- Display: Standard HDMI
- USB: 2
- Power Consumption: 60W
- Operating Temperature: 0°C to 50 °C
- Storage Temperature: -40 °C ~ 125 °C
- Humidity: 10 ~ 90% NON-CONDENSING

OpenVox VS-CCU-I-KABYLR Motherboard

Overview

VS-CCU-I-KABYLR is a new version asterisk® motherboard. With intel Quad Core processors, CCU-I-KABYLR can easily handle 1600 concurrent calls with G.711 codec or 800 concurrent calls with G.729 codec. To bring you clear, high fidelity and high definition audio/video calls, CCU-I-KABYLR can easily integrate with abundant HD voice and video codecs.

The CCU-I-KABYLR supports comprehensive protocol processing, including SIP, IAX2 protocols in IP side and BRI, PRI, SS7, R2, GSM, WCDMA in CPE side. Taking the full advantages of open source platform, the CCU-I-KABYLR will be preloaded with Elastix®, PBX in a Flash™, FreePBX IPPBX software.

Warranty

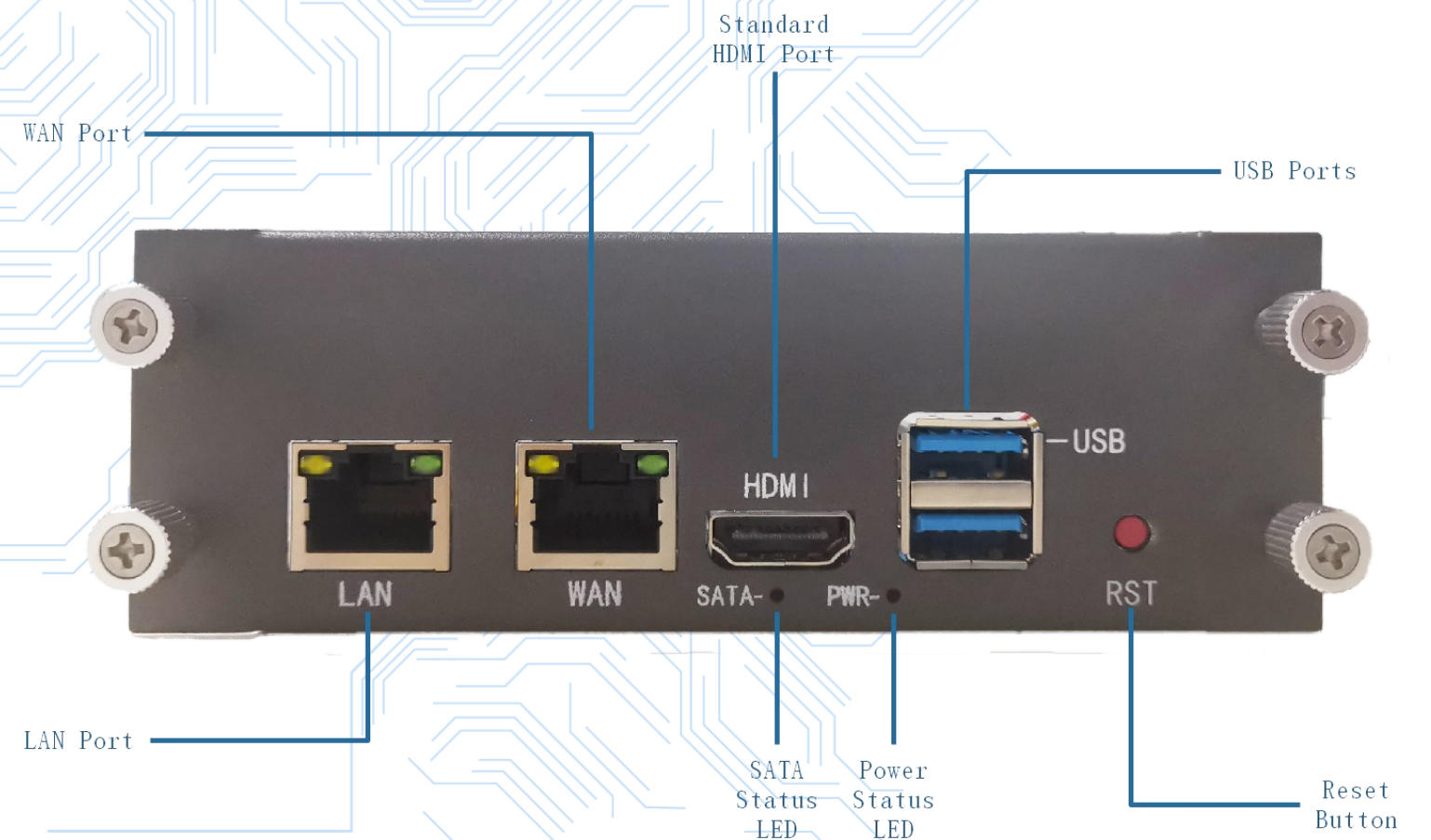
- Two-Year Warranty
- 3-Month "No-Question Asked Return Policy"

Certifications

- RoHS Complaint

Software & Platform:

- Issabel, Elastix, FreePBX, VitalPBX, 3CX, Windows



Features

- Users: Unlimited
- Max VoIP Trunks: Unlimited
- Max Concurrent Calls: 1600 Concurrent Calls with G.711 Codec, 800 Concurrent Calls with G.729 Codec
- Transport Protocol: UDP, TCP, TLS, SRTP
- DTMF: In-band, RFC2833, SIP INFO
- IP Services: Static IP, DHCP, VPN, Firewall, PPPoE, Bridge
- Supported codecs: ADPCM, G.711(A-Law & u-Law), G.722, G.723.1(pass through), G.726, G.728, G.729, GSM, iLBC (optional) among others.
- SIP and IAX2 support
- Web-based operator panel
- DISA(Direct Inward System Access)

Preloaded System

- OpenVox UC PBX System
- 3CX V16 based on debian 10
- Issabel 4.0
- FreePBX
- CentOS 7.8
- Debian 9.8

- Call detail record(CDR) report
- Call recording, Call parking, call queues, Voicemail, Conference
- Echo canceller
- Callback support
- Flexible and configuration IVR
- Support for PIN sets
- Support for time conditions
- VOIP provider configuration
- Support for follow-me
- Support for ring groups
- Support for video-phones
- Channel usage reports

Address: Room 624, 6/F, Tsinghua Information Port, Book Building, Qingxiang Road, Longhua Street, Longhua District, Shenzhen, Guangdong, China 518109

Tel: +86-755-66630978,82535461, 82535362

Business Contact: sales@openvox.cn, Technical Support: support@openvox.cn Website: www.openvoxtech.com