



IPPBX IX210 Quick Start Guide

IX210 is an open source asterisk-based complete IPPBX solution for SMB. Based on plug-in modular design, IX210 is a standard 19* 2U appliance. It allows users to integrate up to 2 pieces of OpenVox PCI-E telephony cards, with combinations of analog, BRI, PRI, GSM . With the push-button, the storage device is easy to plug and draw.

IX210 supports comprehensive protocol processing, including SIP,H.323 protocols in IP side and BRI, PRI, SS7, GSM and some protocols in CPE.

*3-Month "No Questions Asked"
Return Policy
Two Year Warranty*

Physical Specifications

- ▶ **Size:** 44cm × 37.5cm × 8.8cm
- ▶ **Weight:** 5200g (Telephony cards not included)
- ▶ **Alternative Power:**
Input: 100-240VAC
- ▶ **Temperature:** 0 ~ 70°C (Operation)
- 40 ~ 85°C (Storage)
- ▶ **Humidity:** 10 ~ 90% NON-CONDENSING

Interfaces and Ports

- ① ② Telephony Cards Area
- ③ VGA Interface
- ④ Two Network Ports
- ⑤ Two USB Ports
- ⑥ LED Monitor
- ⑦ Power Button and 4 Function Keys
- ⑧ AC Power Interface (Built-in and Optional)

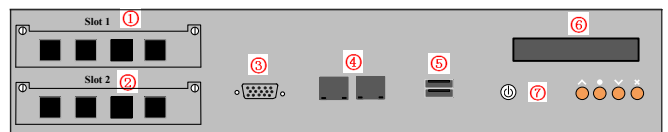
- Optional Pre-loaded Free Open Source IPPBX System
- Combination of FXS/FXO, BRI,E1/T1/GSM Interface
- PRI/SS7 To SIP Gateway, To TDMoE Gateway
- PRI/SS7/FXS/FXO/BRI Signaling Converter
- Flexible Applications Selection(IPPBX Or Firewall)
- Up to 8 Simultaneous GSM Calls

IX210 supports combination of two cards, for example:

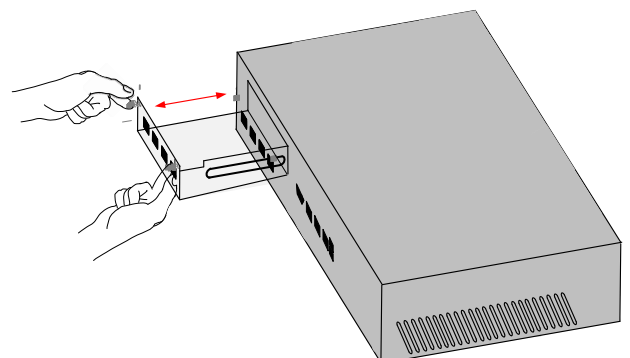
- ▶ A810E + B400E
- ▶ D230E + B400E
- ▶ D230E + A1610E
- ▶ D230E + A810E
- ▶ A810E + A810E
- ▶ G400E + G400E

For more combinations, please consult our sales person.

Front Panel



Rear Panel





IPPBX IX210 Quick Start Guide

IX210 is an open source asterisk-based complete IPPBX solution for SMB. Based on plug-in modular design, IX210 is a standard 19* 2U appliance. It allows users to integrate up to 2 pieces of OpenVox PCI-E telephony cards, with combinations of analog, BRI, PRI, GSM . With the push-button, the storage device is easy to plug and draw.

IX210 supports comprehensive protocol processing, including SIP,H.323 protocols in IP side and BRI, PRI, SS7, GSM and some protocols in CPE.

IX210 supports combination of two cards, for example:

- ▶ A810E + B400E
- ▶ D230E + B400E
- ▶ D230E + A1610E
- ▶ D230E + A810E
- ▶ A810E + A810E
- ▶ G400E + G400E

For more combinations, please consult our sales person.

*3-Month "No Questions Asked"
Return Policy
Two Year Warranty*

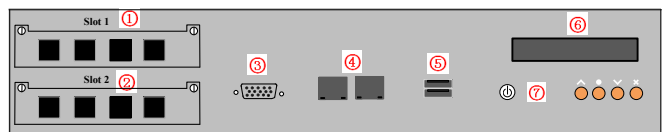
Physical Specifications

- ▶ **Size:** 44cm × 37.2cm × 8.8cm
- ▶ **Weight:** 5200g (Telephony cards not included)
- ▶ **Alternative Power:**
Input: 100-240VAC
- ▶ **Temperature:** 0 ~ 70°C (Operation)
- 40 ~ 85°C (Storage)
- ▶ **Humidity:** 10 ~ 90% NON-CONDENSING

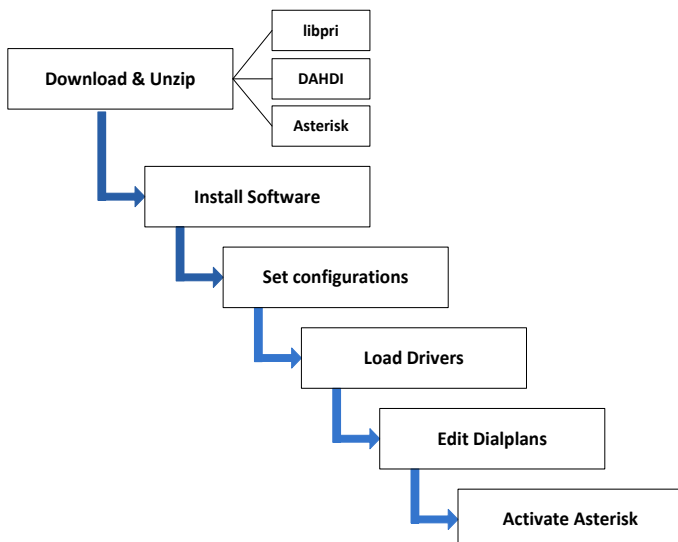
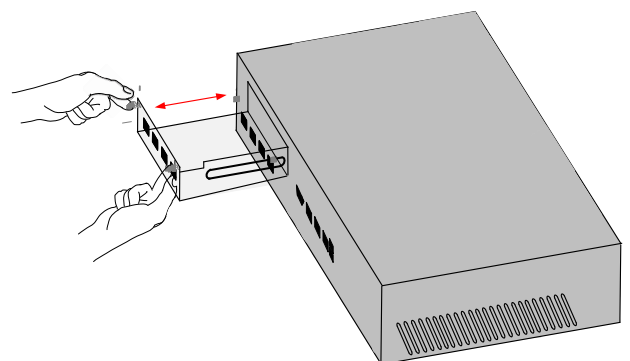
Interfaces and Ports

- ① ② Telephony Cards Area
- ③ VGA Interface
- ④ Two Network Ports
- ⑤ Two USB Ports
- ⑥ LED Monitor
- ⑦ Power Button and 4 Function Keys
- ⑧ AC Power Interface (Built-in and Optional)

Front Panel



Rear Panel



IPPBX IX210

快速安装指南



- Optional Pre-loaded Free Open Source IPPBX System
- Combination of FXS/FXO, BRI, E1/T1/GSM Interface
- PRI/SS7 To SIP Gateway, To TDMoE Gateway
- PRI/SS7/FXS/FXO/BRI Signaling Converter
- Flexible Applications Selection (IPPBX Or Firewall)
- Up to 8 Simultaneous GSM Calls

IX210支持以下两种卡的组合:

- ▶ A810E + B400E
- ▶ D230E + B400E
- ▶ D230E + A1610E
- ▶ D230E + A810E
- ▶ A810E + A810E
- ▶ G400E + G400E

若需了解更多关于语音卡的组合, 欢迎咨询销售人员。

三个月内无条件退货
两年质保

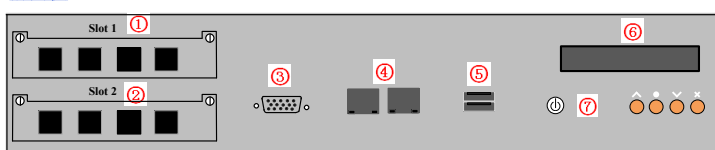
IX210是完全基于Asterisk开源平台的SMB IPPBX, 该产品适用模块化插板式设计, 在2U机箱内集成两张PCI-E语音卡, 并且允许客户根据需求随意搭配模拟、BRI、PRI、GSM语音卡。硬盘可以通过按钮抽拉, 安装灵活方便。

IX210全面支持信令处理, 包括在互联网端的SIP, H.323及在CPE端的BRI, PRI, SS7, GSM及其他信令。

规格参数

- ▶ 尺寸: 44cm × 37.2cm × 8.8cm
- ▶ 重量: 5200g (不包含语音卡)
- ▶ 电源: AC电源适配器(内/外置可选)
输入: 100-240VAC
- ▶ 温度: 0 ~ 70°C (运行)
- 40 ~ 85°C (存储)
- ▶ 湿度: 10 ~ 90% 无凝结

前面板

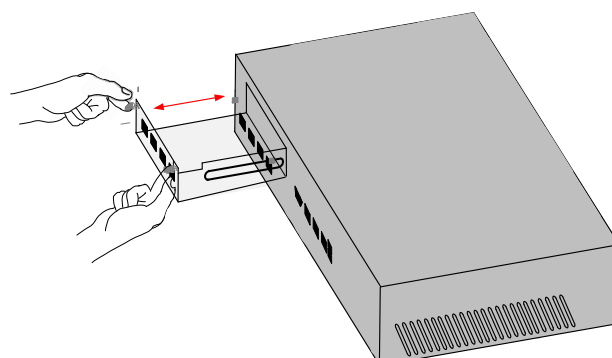


后面板



前、后面板接口

- ① ② 语音卡
- ③ VGA显示器接口
- ④ 2个10/100/1000M以太网接口
- ⑤ 2个USB接口
- ⑥ LED显示器
- ⑦ 1个电源按键、4个功能按键
- ⑧ 可选AC电源接口



IPPBX IX210

快速安装指南



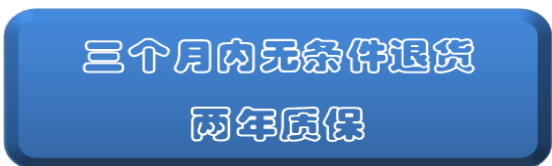
IX210支持以下两种卡的组合:

- ▶ A810E + B400E
- ▶ D230E + B400E
- ▶ D230E + A1610E
- ▶ D230E + A810E
- ▶ A810E + A810E
- ▶ G400E + G400E

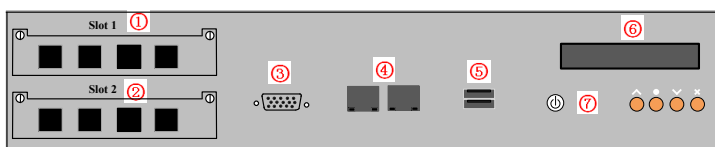
若需了解更多关于语音卡的组合, 欢迎咨询销售人员。

IX210是完全基于Asterisk开源平台的SMB IPPBX, 该产品适用模块化插板式设计, 在2U机箱内集成两张PCI-E语音卡, 并且允许客户根据需求随意搭配模拟、BRI、PRI、GSM语音卡。硬盘可以通过按钮抽拉, 安装灵活方便。

IX210全面支持信令处理, 包括在互联网端的SIP, H.323及在CPE端的BRI, PRI, SS7, GSM及其他信令。



前面板

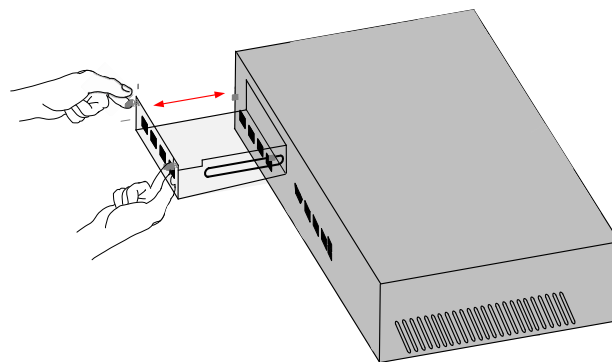


后面板



前、后面板接口

- ① ② 语音卡
- ③ VGA显示器接口
- ④ 2个10/100/1000M以太网接口
- ⑤ 2个USB接口
- ⑥ LED显示器
- ⑦ 1个电源按键、4个功能按键
- ⑧ 可选AC电源接口



规格参数

- ▶ 尺寸: 44cm × 37.2cm × 8.8cm
- ▶ 重量: 5200g (不包含语音卡)
- ▶ 电源: AC电源适配器(内/外置可选)
输入: 100-240VAC
- ▶ 温度: 0 ~ 70°C (运行)
- 40 ~ 85°C (存储)
- ▶ 湿度: 10 ~ 90% 无凝结

